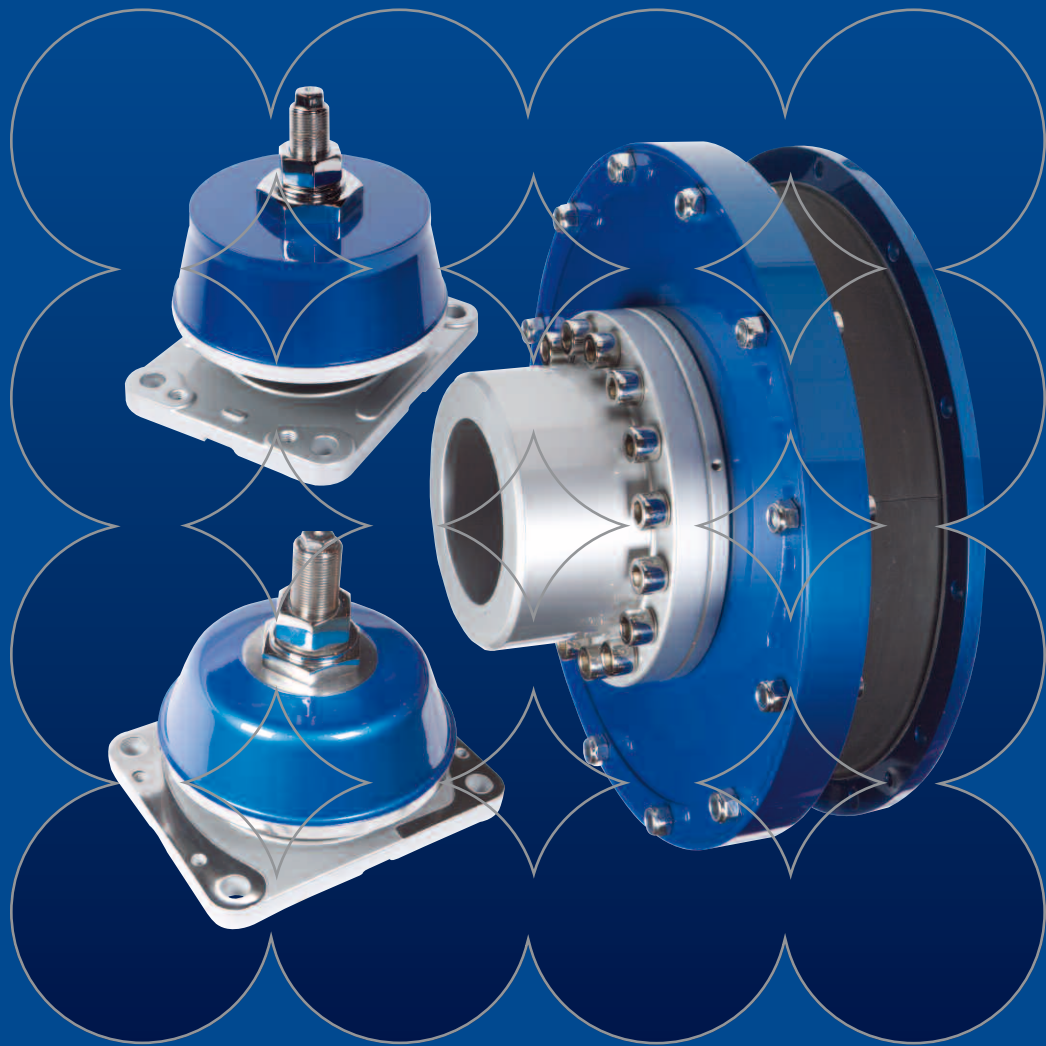


Solutions For Flexibly Mounted Engines

Hi-Tec Couplings

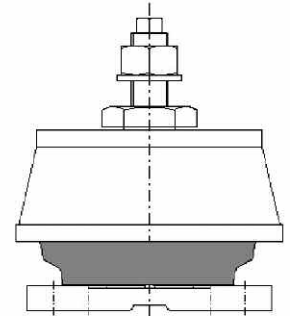
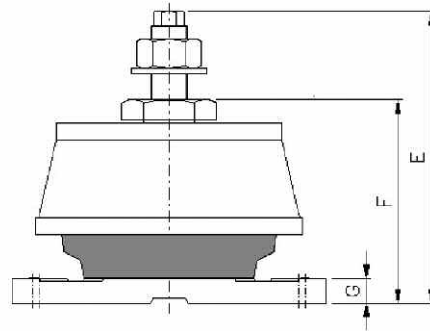
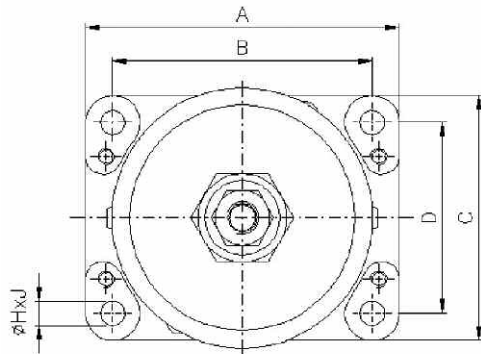


RENOLD
Superior Coupling Technology

www.renold.com

Flexible Mount - Dimensional data

MOUNT SIZE		RD 414 RD 415	RD 314 RD 315 RD 344	RD 214 RD 215 RD 244	RD 113 RD 114 RD 115
MAX STATIC LOAD kN		14.4	48.0	78.0	147.0
DIMENSION (mm)	A	215	230	249	370
	B	165	190	205	310
	C	100	180	210	300
	D	-	140	150	240
	E	168	214	282	321
	F	115	150	195	205
	G	12	18	22	30
	H	18	18	22	30
	J	2	4	4	4



VF Flexible Coupling - Dimensional data

COUPLING SIZE		5000		10000		18000
NOMINAL TORQUE kNm		4 to 5		8 to 10		14.4 to 18
		SAE14	SAE18	SAE18	SAE21	SAE21
DIMENSION (mm)	A	466.70	571.50	571.50	673.10	673.10
	B1	254	265	310	326	340
	B2	340	351	418	434	463
	B3	-	13	-	19	-
	D	150	150	175	175	185
	E	180	180	225	225	250
	F	438.15	542.92	542.92	641.35	641.35
	G	480	480	585	585	690
	G1	-	493	-	580	-
	J	15	15	17	20	20
	L1	122	133	156	172	185
	L2	208	219	264	280	308
	S	8	12	12	12	12
	U	13	17	17	17	17
	Max Y	120	120	150	150	170
WEIGHT (Kg)	W1	59.9	59.9	108.6	108.6	172.9
	W2	14.0	31.1	27.2	59.2	50.4
	W3	35.6	52.7	67.8	133.5	124.7
INERTIA (Kg m ²)	J1	1.28	1.28	3.33	3.33	8.14
	J2	0.50	1.51	1.39	4.07	3.48
	J3	1.26	2.27	3.44	9.16	8.57



Luxury Yacht
Typical application for VF flexible couplings and RD flexible mounts which isolate the vibration generated by the engine from the yacht's structure.

